



Your Connection to the World.



EHS support
Aastra 6753i, 6755i and 6757i phones

May 2009



Agenda

- » Introduction
- » EHS (Electronic Hook Switch)
- » DMSG Standard
- » Aastra DMSG cable Kit
- » Ordering and pricing
- » List of verified/compatible headsets
- » Recommended settings on the phone



Introduction

» Mechanisms to remotely control the hook switch when using a wireless headset:

- RHL (Remote Handset Lifter): Motor based, works with almost all phones, no special requirements on the phone side
- EHS (Electronic Hook Switch)
Requires common protocol to be supported by the phone & headset.
Different standard exists
- Bluetooth Connectivity
Requires native BT support in the phone, headset connects directly to phone



EHS (Electronic Hook Switch)

- » In addition to audio path, EHS requires some additional cables to carry signaling between phone and headset base station

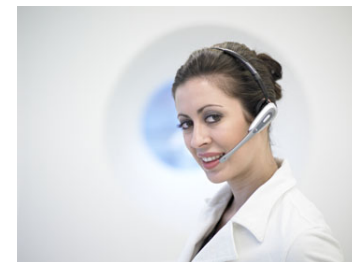
- » Supported features:
 - Phone signals incoming call to headset (beep in headset)
 - Headset button allows to send off/on hook command to phone
 - Phone signals call active / call inactive to headset, headset will unmute/mute mic and turn on/off link-LED

- » Different EHS versions exist:
 - DHSG
 - AEI (Avaya Tenovis)
 - MSH (Alcatel Lucent)



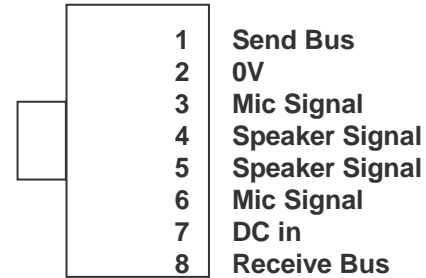
DHSG Standard

- » DHSG: “Drahtlose Hörsprechgarnitur” (German for “wireless headset”)
- » Also known as “Siemens standard”
- » Supported by many phone vendors
- » Often referred to as “**The** EHS-Standard”
- » Phone vendors supporting it:
 - Aastra: Office IP 70/80, Open Phone 71/73/75 and now also 6753i, 6755i and 6757i
 - Polycom
 - Snom
 - Cisco
 - Siemens
 - Avaya
 - Swyx
 - Agfeo
 - Elmeg
 - Tiptel
 - ...



DHSG Interface

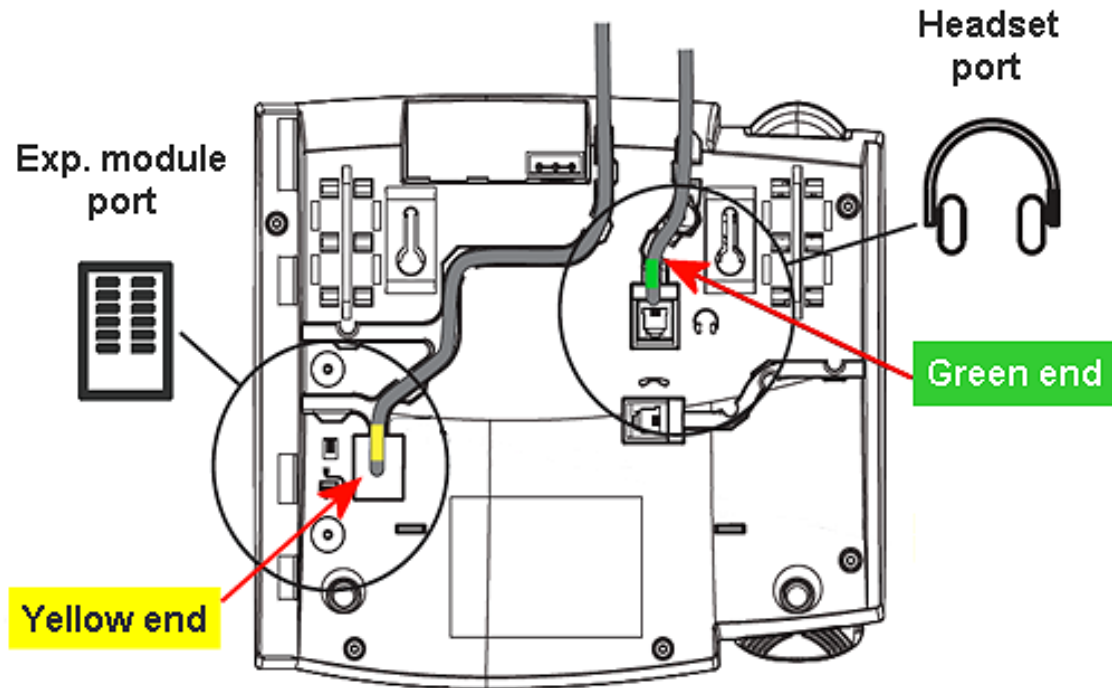
- » Mechanical Interface: RJ-45
 - RJ45 carries voice and signaling
 - No native EHS/RJ45 interface on 675xi



- » Aastra work around is to utilize existing Expansion module port & Headset jack to support DHSG on Aastra 675xi phones
- » Aastra has designed a special “Y” cable that allows connectivity between the phone and Headset base
- » **Important:**
 - » Solution only supported on 6753i, 6755i and 6757i models
 - » Phones Require software release 2.4 or higher
 - » DHSG + usage of an expansion module is not possible!

Connecting the Aastra DMSG Cable Kit

1.- Connect the Aastra DMSG Cable on the back of the phone

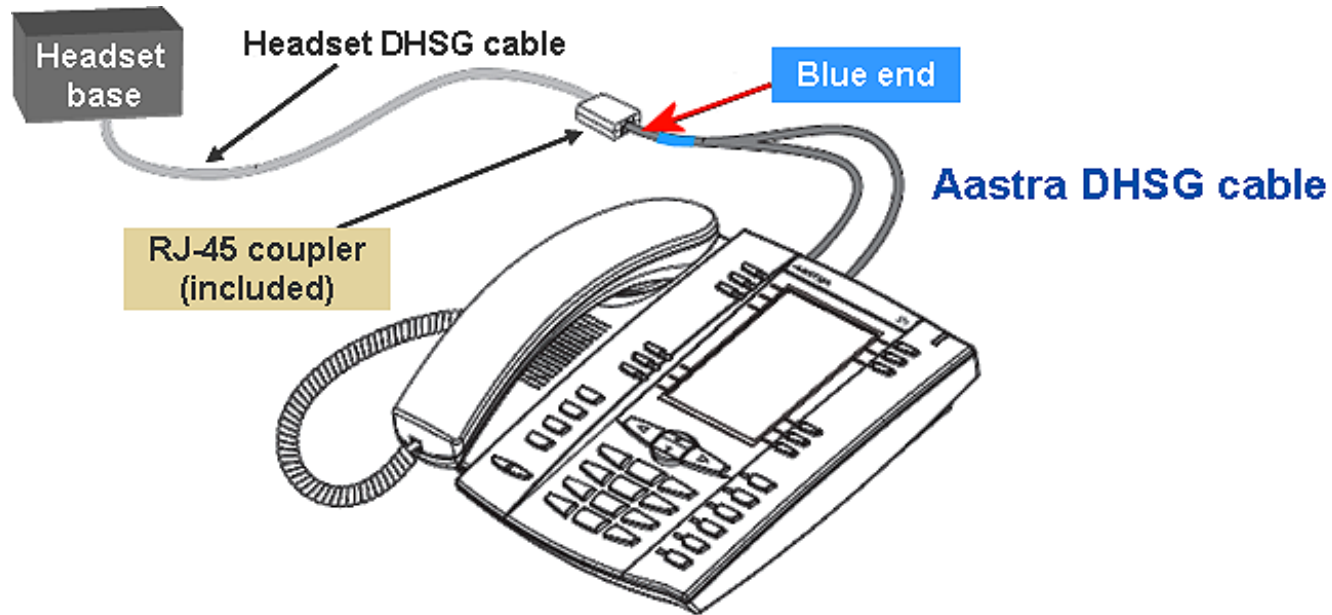


Only the Aastra DMSG cable should be connected directly to your phone. No 3rd party DMSG cables should be connected directly to the Aastra IP phone. Any damage caused by connecting a 3rd party DMSG headset cable to your phone will void your warranty with Aastra Telecom.



Connecting the Aastra DHSG Cable Kit

2.- Connect the **blue** end of the cable to the RJ-45 coupler (included in the Kit), and connect the EHS cable provided by the headset manufacturer to the other side of the coupler



Only the Aastra DHSG cable should be connected directly to your phone. No 3rd party DHSG cables should be connected directly to the Aastra IP phone. Any damage caused by connecting a 3rd party DHSG headset cable to your phone will void your warranty with Aastra Telecom.

Ordering and Packaging

- » DMSG Cable Kit
- » Part Number: D0062-0011-34-00
- » Pricing: **19€ (Street Price)**

- » Content:
 - Aastra DMSG Cable
 - RJ-45 coupler
 - Installation Instructions (engl)



Important:

- This cable is only compatible with 6753i, 6755i and 6757i models
- Phones require software release 2.4 or higher
- DMSG + usage of an expansion module is not possible!

Relevant settings on the Phone

- » The phone will auto-detect the DHSG headset
- » But audio mode needs to be set to “**Headset/Speaker**” mode manually.
(Options→Preferences→Set Audio→Audio Mode→Headset/Speaker)
- » For full headset functionality, disable the “**Goodbye Key Cancels Incoming Call**” parameter.
Aastra Web UI: Basic Settings→Preferences→General



Aastra Verified Wireless Headsets

» GN Netcom / Jabra (**requires a GN 14201-10 cable**):

- GN 9350
- GN 9350e
- GN 9120
- GN 9125



» Plantronics (**requires an APS-1 adapter box**):

- CS60
- CS70N
- CS351N
- Voyager 510S



» Sennheiser (**requires a TCI 01 adapter box**):

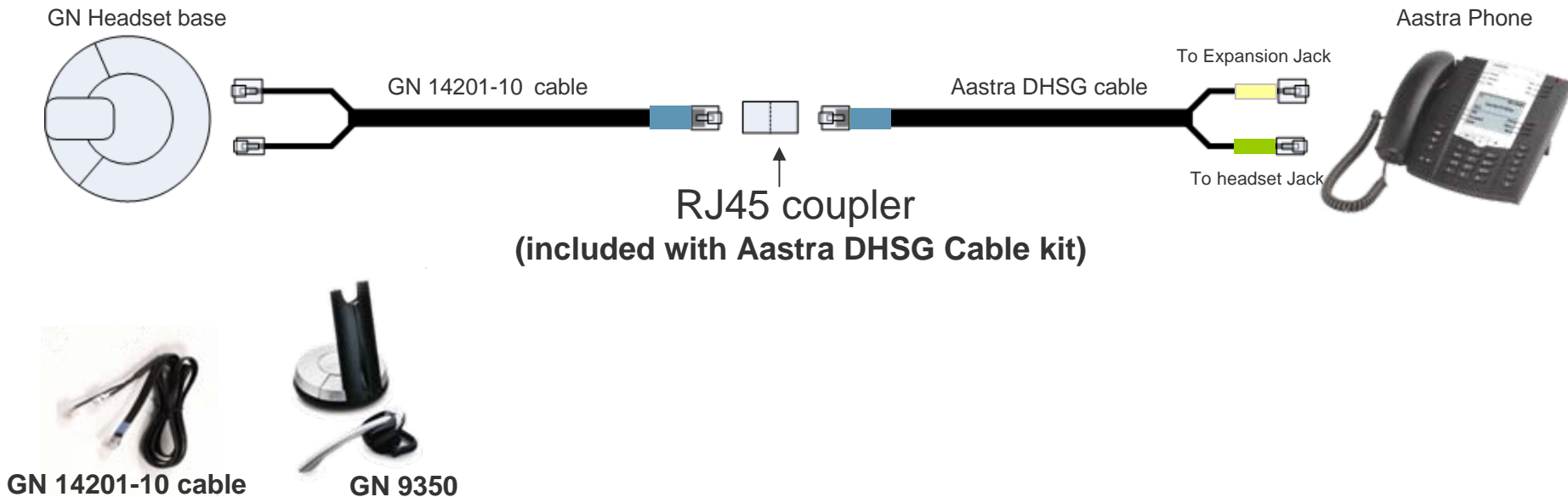
- BW900.



Use of a non-verified DHSG headset solution is at the customer's own discretion and the customer should be aware that some DHSG headsets require an optional cable in order to be electrically DHSG compliant.

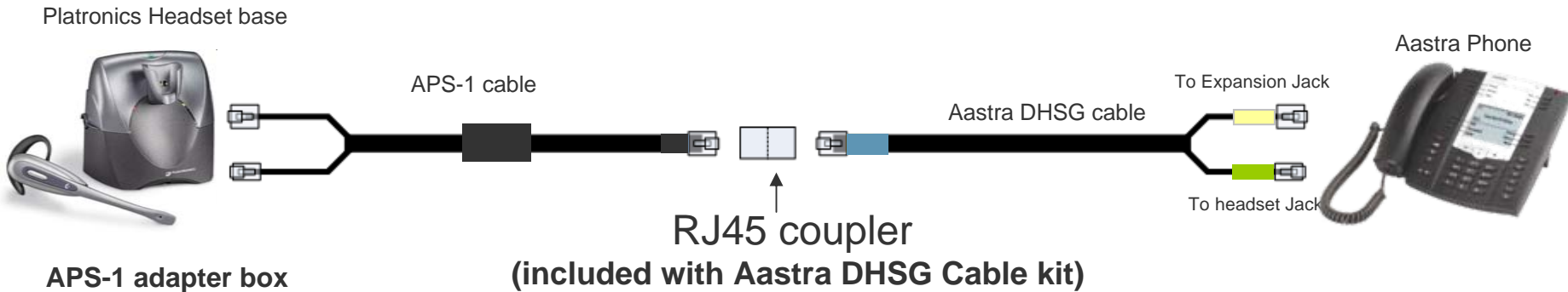
GN Netcom / Jabra

- » Blue end of GN 14201-10 cable needs to be connected to blue end of Aastra DHSG cable (using the RJ-45 coupler)
- » Headset needs to be set to “DHSG mode” (switch on the headset base – depends on model)



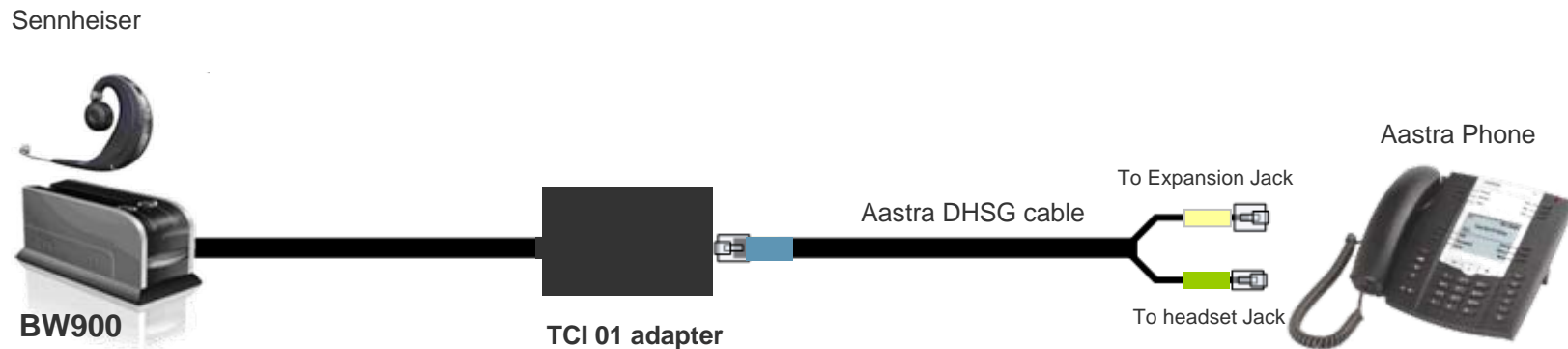
Plantronics

- » Connect the RJ-45 cable of the APS-1 (AP-1) adapter box to the blue end of the Aastra DHSG cable using the RJ-45 coupler



Sennheiser

- » Connect the blue end of the Aastra DHSG cable to the DHSG connector of the TCI 01 box (RJ-45 coupler not needed).



TCI 01 adapter box





Thank you!