

## T28P

Advanced Executive IP Phone

6-Line Executive IP Phone with DSS keys and extra large LCD screen

HD Voice

PoE 6

Headset Port



T28P is an executive IP phone designed for true versatility and optimum efficiency in the dynamic office environment. Unrivalled HD voice quality, innovative functional richness and friendly user interface combine with contemporary design for a truly advanced professional handset.

# T28P

## Network Features

SIP v1(RFC2543), v2(RFC3261)  
NAT transverse: STUN mode  
IP Assignment: Static/DHCP/PPPoE  
In-Band DTMF, Out-of-Band DTMF, SIP Info  
Proxy mode and Peer-to-peer SIP link mode  
TFTP/DHCP/PPPoE client  
Telnet/HTTP server  
DNS client  
NAT/DHCP server  
Support VLAN, QoS  
PoE optional

## Voice Features

Wideband Codec: G.722, voice spectrum between 50-7000Hz  
Narrowband Codecs: G.711, G.726, G.723.1/iLBC, G.729AB and GSM  
VAD, CNG, AEC, PLC, AJB, AGC  
Full-duplex hands-free speakerphone  
-compliant with IEEE 1329  
support Hearing Aid Compatible (HAC)

## Security

Secure RTP  
Digest authentication using MD5/MD5-  
sess  
Secure configuration file via AES  
encryption

## Telephony Features

Call Hold, Call Waiting, Call Transfer, Call Forward  
Caller ID, Call List, DND, Redial, Flash  
3-way Conference, Speed Dial  
Personal Ring Tone, Voicemail  
Volume Adjustment, Mute, Speakerphone  
Logo Customization, Black List, Phone Lock  
Admin/User Configuration Mode  
Contact List Export/Import  
System Log Export/Import  
Hotline, Signal Tone Settable  
Multi-language

## IP PBX System Integration

SMS, BLF/BLA, Paging, Intercom  
Downloadable enterprise phonebook  
Call Park, Call Pickup, Distinctive Ringtone  
Auto-answer, Dial Plan, Dial-now

## Config, Upgrade and Usage

Firmware Upgrade: TFTP/Console/Auto-provision  
Auto-provision: TR069 Optional  
Direct IP call without SIP proxy  
Dial number via SIP server  
Dial URL via SIP server

## Physical Features

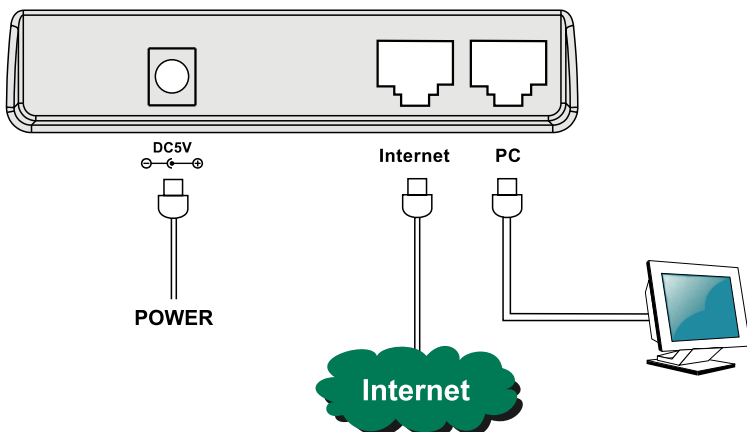
TI Titan Chipset  
LCD: White backlit 320x160  
4-level grayscales  
16 DSS Keys, 4 soft keys  
Network Interface: 2xRJ45 10/100M ports  
Headset port: RJ9  
Expansion Module Port  
Speaker: 8 Ohm/1 Watt  
Dimension: 310 x 290 x 110 mm  
Weight: 1.6 kg  
Power adapter: Input: AC 100~240V  
Output: DC 5V/1A  
Operating humidity: 10~95%  
Storage temperature: up to 60 C

## Package Features

Qty per Carton: 5  
Carton Weight: 8.8 Kgs  
Carton Dims: 335 x 595 x 570 mm

## Certifications

WEEE



# Yealink

EASY VoIP