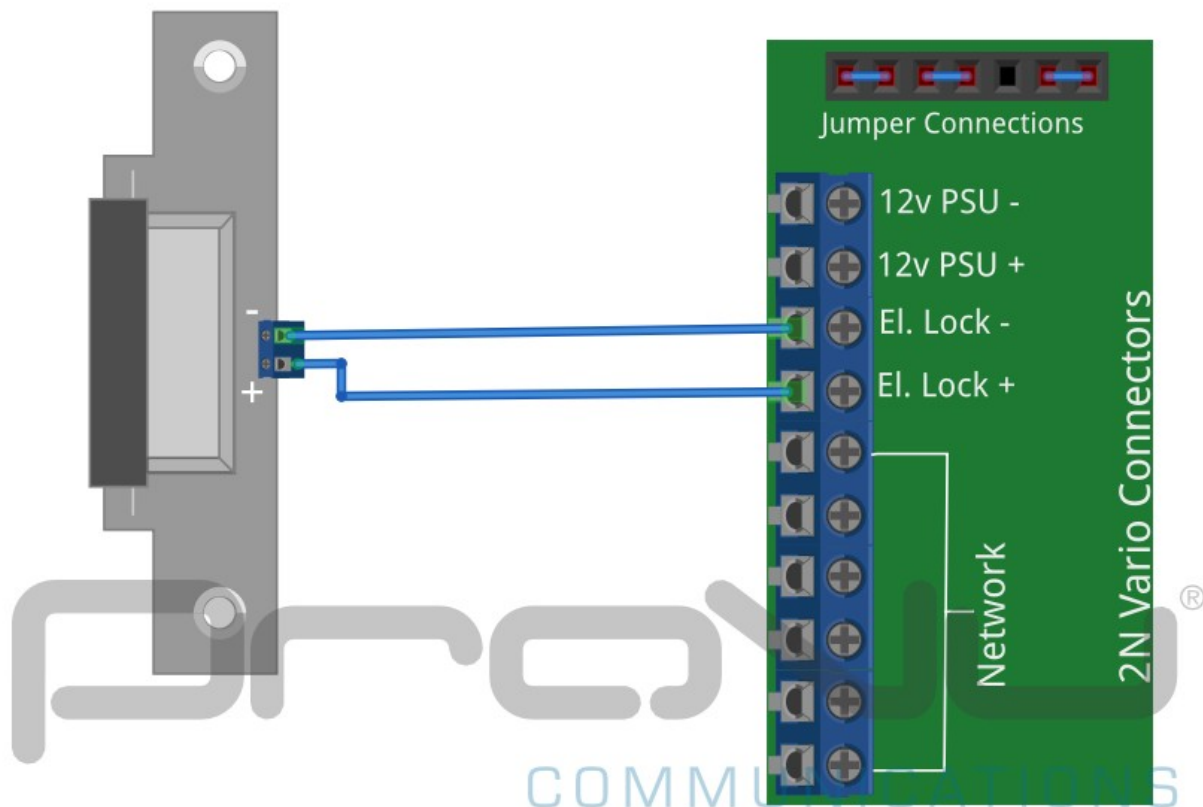


Wiring Diagram 2N Helios IP Vario with Fail Safe Lock

The wiring diagram below shows how to wire a fail safe strike lock into the 2N Helios IP Vario when powered via Power over Ethernet (PoE).

Please pay special attention to the Jumper Connections at the top of the Vario on the diagram. It is important that these are connected in the correct way otherwise the lock will not work correctly.



If you have wired this up as per the diagram above, and the unit is still not working correctly please email us at support@provu.co.uk and one of our technical team will provide assistance.