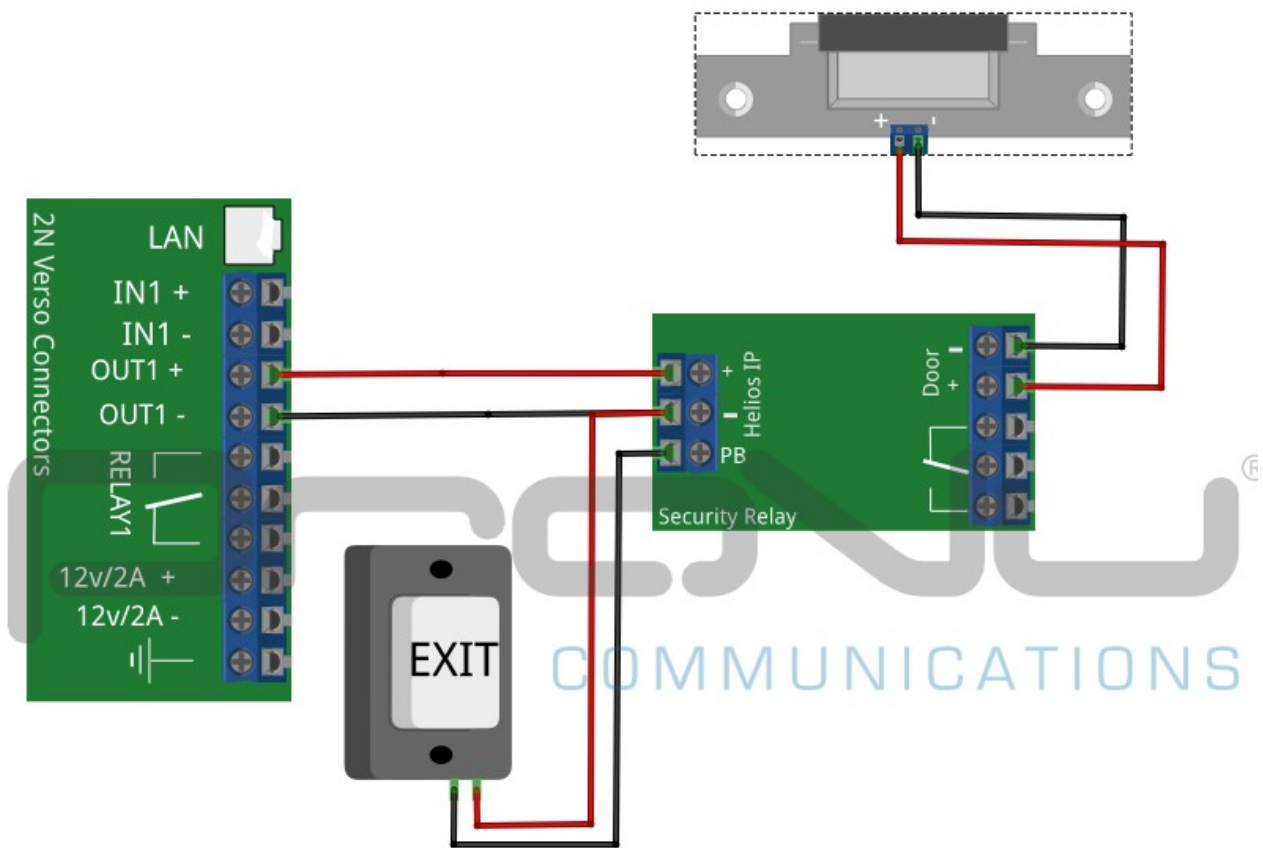


Wiring Diagram 2N Helios IP Verso with Fail Secure Lock, Exit Button and 2N Security Relay

The wiring diagram below shows how to wire a fail secure strike lock into the 2N Helios IP Verso when powered via Power over Ethernet (PoE). It also shows how to connect an exit button and 2N Security Relay.



Connecting the 2N Security Relay requires you to change the settings in the web interface

of the IP Verso in order for it to communicate properly with the relay. Log in to the web interface by web browsing to the IP address of the IP Verso.

Default Login credentials:

Username: admin

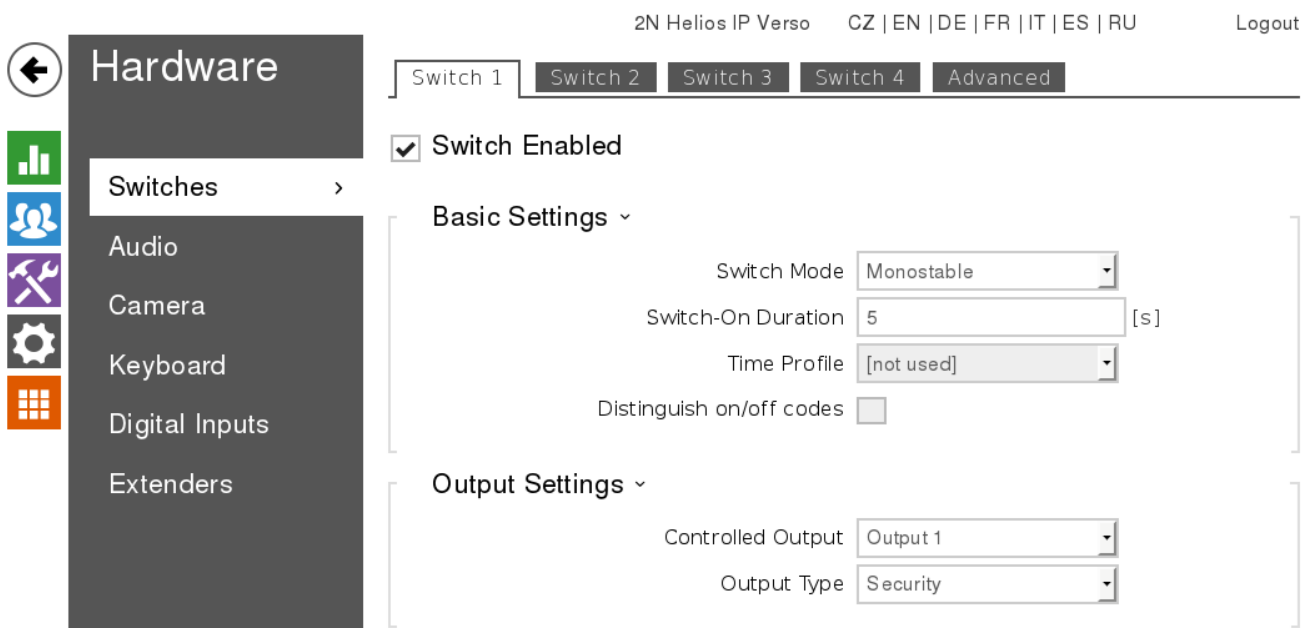
Password: 2n

Then go to the Hardware > Switches page and set the following settings:

Controlled Output: Output 1

Output Type: Security

This can be seen in the diagram below:



2N Helios IP Verso CZ | EN | DE | FR | IT | ES | RU Logout

Hardware

- Switches >
- Audio
- Camera
- Keyboard
- Digital Inputs
- Extenders

Switch 1 Switch 2 Switch 3 Switch 4 Advanced

Switch Enabled

Basic Settings ▾

Switch Mode Monostable ▾

Switch-On Duration 5 [s]

Time Profile [not used] ▾

Distinguish on/off codes

Output Settings ▾

Controlled Output Output 1 ▾

Output Type Security ▾

If you have wired this up as per the diagram above, and the unit is still not working correctly please email us at support@provu.co.uk and one of our technical team will provide assistance.