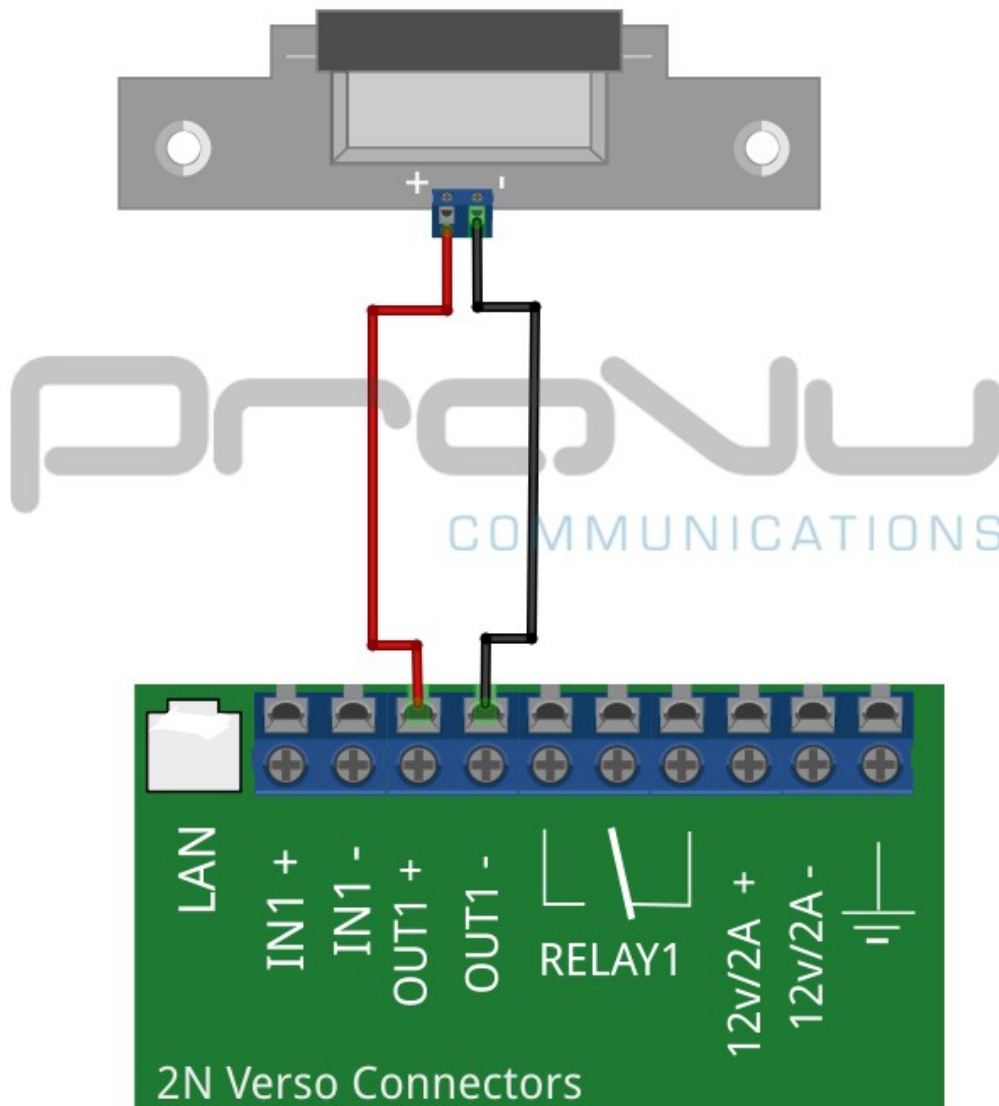


Wiring Diagram 2N Helios IP Verso with Fail Secure Lock

The wiring diagram below shows how to wire a fail secure strike lock into the 2N Helios IP Verso when powered via Power over Ethernet (PoE).



If you have wired this up as per the diagram above, and the unit is still not working correctly please email us at support@provu.co.uk and one of our technical team will provide assistance.