

# IP Doorphone BOLD

The **BOLD** IP door phone is designed for simple communication for companies as same as private houses.

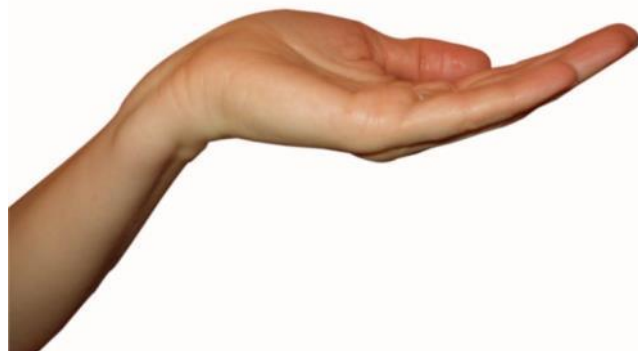
The BOLD IP door phone use standard SIP protocol.

The BOLD IP door phone includes modern technology, overtime design and easy installation. The service is user friendly as well.

The BOLD IP door phone includes 2 relays, PoE and basic models are different just by using numerical keypad and wide angle color camera.

## Basic features:

- audio is full duplex with supression of acoustic shock
- phone book of 999 subscribers (usefull for keypad usage)
- each subscriber has more phone numbers with progressive or simoultaneous call
- Email with picture sending when unreachable
- 10 time schedules with week programm
- 4 relays, 2 on PCB with possibility of el.lock connection for door opening and 2 virtual (for control remote IP relay ( webrelay) or for relays synchronization
- relays systém allows every mode combination by synchronization (progressive opening, 2 pulses, etc.)
- 10 shared adjustable codes for each relay + every subscriber has own code for each relay
- for models with 1 and 2 buttons available door sensors
- SNMP available
- Real time clocks (RTC) from NTP or SIP server
- Extended possibilities of button features settings , lightness settings, call duration settings, keypad mode settings etc...
- Audio signalling settings
- Saving of own tones or messages
- Multilanguage support
- Multilevel loading and restoration of configuration
- Relabile firmware upgrade
- Logging system with possibility of records savings to MicroSD card (optional)
- Possibility to record of pictures, video, audio into MicroSD card as record machine (optional)
- Management by WEB Browser
- Powering 12V or PoE (Class 0 - 12,95W)
- Ethernet – 10/100Mb with standard 10BaseT and 100BaseTx
- Unit start within 3 seconds
- Operational system – Linux
- USB connection of integrated camera. Video transmission to web browser – JPEG. Video transmission to VOIP phones - stream H.263, H.264
- SIP connection P2P or PBX (SIP server) system, switchable in web interface



## Modely:

Bold-T1	1 button audio
Bold-T2	2 buttons audio
Bold-T4	4 buttons audio
Bold-T1C	1 button audio with camera
Bold-T2C	2 buttons audio with camera
Bold-T4C	4 buttons audio with camera
Bold-TK1	1 button audio with keypad
Bold-TK4	4 buttons audio with keypad
Bold-TK1C	1 button audio with keypad and camera
Bold-TK4C	4 buttons audio with keypad and camera

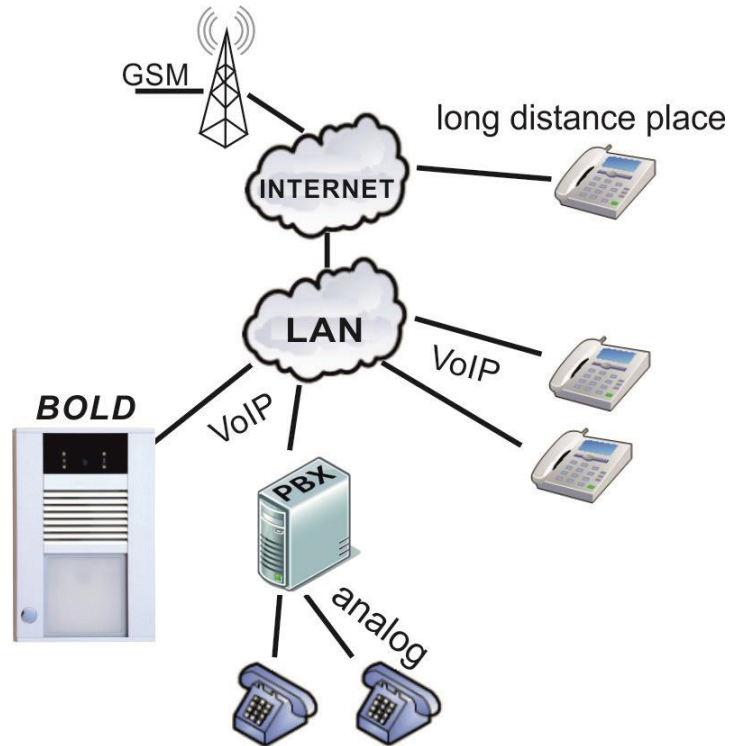


## Usage:

The **BOLD** IP door phone is connectable to LAN PC network via UTP cable. It is designed for communication by SIP protocol in peer-to-peer mode (P2P) or SIP server mode (SIP client).

The **BOLD** IP door phone works with all kind of devices using SIP standard protocol. For example SIP videophones or Computers with WIN operational system, tablets, smart phones with Android or iOS (connected WiFi) where you can use our application UDVguard.

Such modern way of connection will find wide spectrum of usage in private houses, offices, blocks of flats, business and office centres, hotels, hospitals, schools, etc....

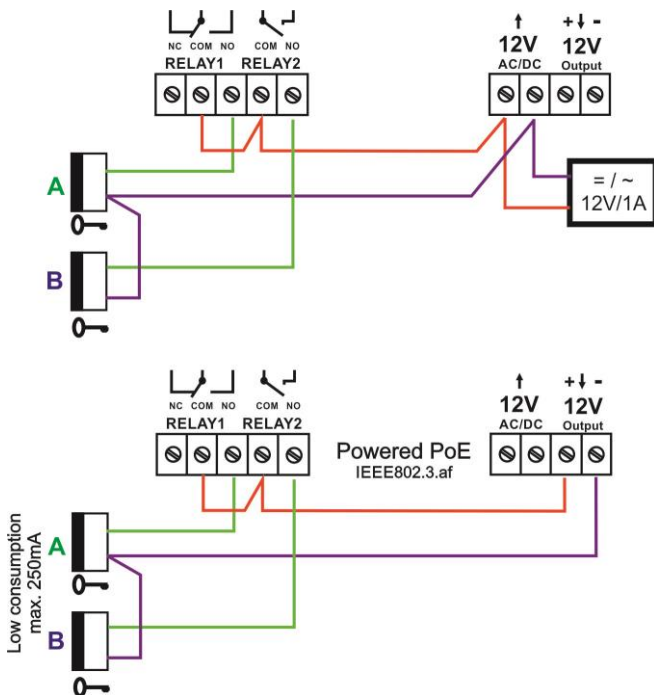


## Relays:

Very important part of door unit are relays. They can control electrical locks of doors, entry gates, sliding doors, lightings, etc....

Relays control is possible by protocol HTTP (from VOIP phone) or by button combination at door unit. At model Bold-TKxx you can use code keylock from keypad.

The **BOLD** IP door phone has integrated 2 relays. First relay has switchable contact. The second relay has closing contact.



## Electrical parametres:

Parameter	Value	Conditions
Communication interface	Ethernet 10Base-T, 100Base-Tx	
VoIP protocol	SIP	
Audio	G.711u, G.711a, G.726, GSM, G729 (optional)	
Video	serie JPEG, MJPG, stream H.263, H.264	
Frequency range	300Hz – 3400 Hz	
Power supply - adapter	12Vdc ± 2V , 12Vac ± 1V	
- or PoE	IEEE802.3af Class 0 -12W	
Max. consumption	300mA	12Vss
Max. relay closing voltage	48V	at I < 1A
Max. relay closing current	2A	at U < 30 V
Temperature range	- 20°C to + 60°C	

## Mechanical dimension:

The BOLD models	Dimensions HxWxD [mm]
BOLD-Txx	204 x 135 x 20
BOLD-TKxx	279 x 135 x 20

## Camera:

Video resolution during call	640 x 480 (0,3MPx)
Lens angle	110°H, 110°V
Pictures number	1 – 15 pict./sec
Connection	USB 2.0
Lighting (night vision )	4 white LEDs

Distributor: