

Yealink

Pro Meetings in a Simple Way

MeetingBar A10

For Small Space and Home Office



Compact design



Leading platforms



Quality audio and video



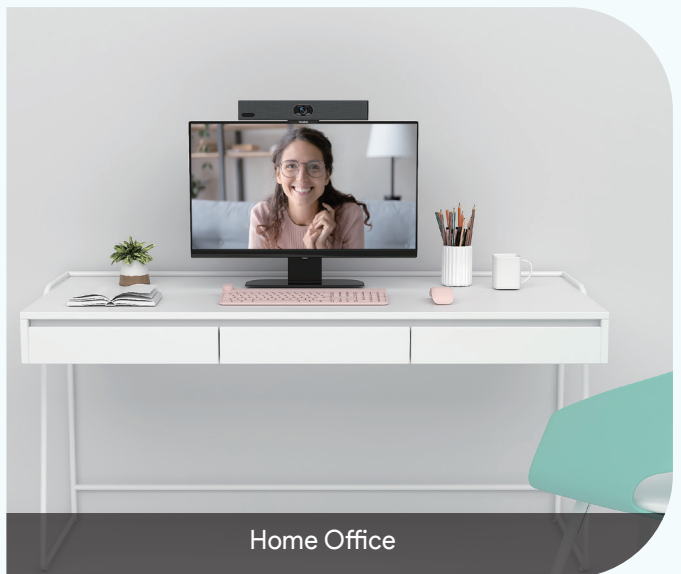
Wireless device mode



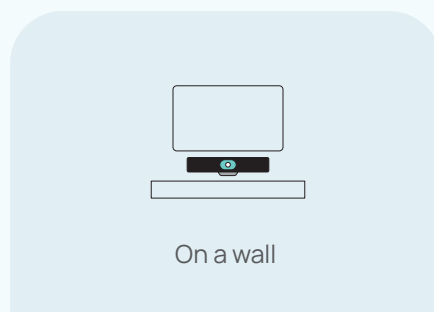
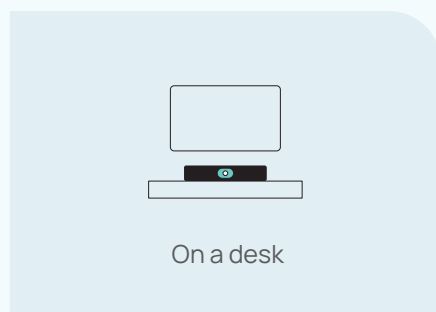
Remote device management

SIMPLE TO MAKE ROOM RIGHT

The Yealink MeetingBar A10 caters to all your small space meeting and home office needs. It is compact enough to fit in anywhere. You can set up within minutes and kick off your huddle space meeting in seconds.



MeetingBar A10 optimizes your small space design and minimizes visible cabling with diverse mounting options.





LEADING PLATFORMS WITHIN YOUR CHOICE

The MeetingBar A10 supports diverse video platform experiences. So no matter which platform you use, start your meeting right now!



FOR NOW, AND FOR FUTURE

Starting with standalone device mode, later when the company plans to adopt a cloud video platform, Yealink MeetingBar guarantees investment protection by enabling seamless upgrade to a native experience like Teams or Zoom.



AI-POWERED VIEW, ALWAYS ON TRACK

Though compact, the bar packs powerful AI-enhanced video features. With 4k camera and 120° field of view, important moments are captured clearly.

Auto Framing

Auto Framing recognizes the number and the positions of attendees, framing everyone smoothly in the most appropriate view.



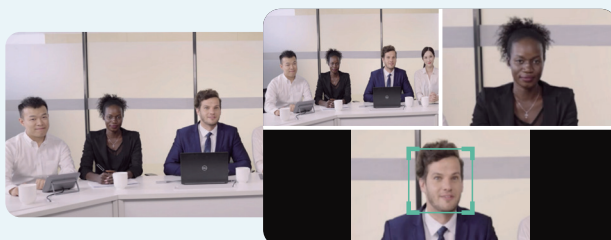
Speaker Tracking

Speaker Tracking frames a real-time close-up on the spaker, bringing a vivid face-to-face meeting experience.



Smart Gallery (Zoom Only)

Smart gallery displays one panoramic view, and two individual view of the current and last active speaker. This allows to display the group more clearly to remote attendees.



AI-ENHANCED VOICE, EVERYONE GETS HEARD

The built-in 8 MEMS microphone arrays and speaker in MeetingBar A10 cover a small space nicely. As a result, you can enjoy a worry-free, full-duplex voice experience with superior performance.



Built-in 8 MEMS mic. array



Full-duplex audio



AI-enhanced noise cancellation





A CLEAN DESK

MeetingBar A10 creates an entirely wireless meeting experience with the WPP30 presentation pod. Not only content sharing but also device mode can be wireless. Reduce clutter, reduce stress. Having a tidy workplace is always rewarding.

WPP30 PRESENTATION POD

WPP30 enables wireless content sharing and device mode with only one step-plugging. Without any configuration steps, you have activated content sharing or device mode.





MANAGEMENT OVER THE AIR

Monitor, control, and upgrade your meeting room devices remotely with Yealink Management Cloud Service (YMCS) account. A batch of devices is managed at your fingertips, over the air.

MeetingBar A10 Specifications

Camera

- 8MP Camera
- Resolution: 4k, 1080p and 720p 30fps
- 120° field of view
- 4x e-PTZ camera
- Electric privacy shutter
- Intelligent Features
 - Auto Framing
 - Speaker Tracking
 - Smart Gallery (Zoom Only)

Operating System

Android 11

Network and Security Features

Built-in dual-band Wi-Fi (2.4GHz/5GHz)
Built-in Bluetooth

Audio

Built-in 8 MEMS microphone array
Built-in 5W high fidelity speaker
Yealink Noise Proof Technology
Full-duplex
Echo cancellation

Connections

1 x HDMI output (CEC supported)
1 x USB-A
1 x USB-C
1 x 10/100M/1000M Ethernet port
1 x Yealink VCH port (RJ-45)
1 x Power port
1 x Security lock slot
1 x Reset slot



Yealink CTP18 Datasheet

Introduction

CTP18 is a collaboration touch panel designed for small and medium rooms. Its 8-inch touch screen and user-centered interactive design allow users to join or control a meeting quickly and effortlessly. It greatly reduces the difficulty of using a video conferencing system and creates a better meeting experience. When CTP18 works with Yealink Wireless Presentation Pod WPP20, you can annotate or control the shared content on CTP18 directly, thereby improving communication efficiency.



Android 10.0 OS



8-inch Multi-touch screen



Meeting Control



Connect with Video Conference Endpoint



Power over Ethernet



Adjustable Screen Angle



Wi-Fi & Bluetooth



Ultrasonic



Certified for Microsoft Teams

zoom Certified

RingCentral

Key Features and Benefits

- Android 10.0 operating system
- 8-inch touch screen
- Support conference control
- Support annotation on shared content
- Connect to VCS endpoint via cable or via Wi-Fi
- Power over Ethernet (IEEE 802.3af)

Richer and Easier Meeting Control Features

CTP18 adopts an effortless and user-centered interaction design, making meeting control easier. The touch control of the screen outperforms traditional control modes magnificently. You can create or join a meeting on the home screen, and all meeting controls can be navigated on CTP18 with just a touch or a swipe of your finger, including previewing and adjusting the camera, changing the participant layouts, recording, etc.

More Efficient Collaboration

CTP18 can be paired with a video conference endpoint, and multi-touch is performed on the touch screen, which is convenient and simple to control the meeting. Supporting operations, such as answering or hanging up calls to meetings, provides an easy and quick meeting experience.

At the same time, the paired devices can be directly configured on the CTP18, reducing multidirectional operations.

Clutter-Free Meeting Space

CTP18 supports PoE, where one cable carries both data and power for the device. Data transmission between

CTP18 and the VCS endpoint is realized either by cable or by Wi-Fi, which eliminates the tricky wiring connections between the TV area and the conference table, saving you from remodeling the meeting spaces.

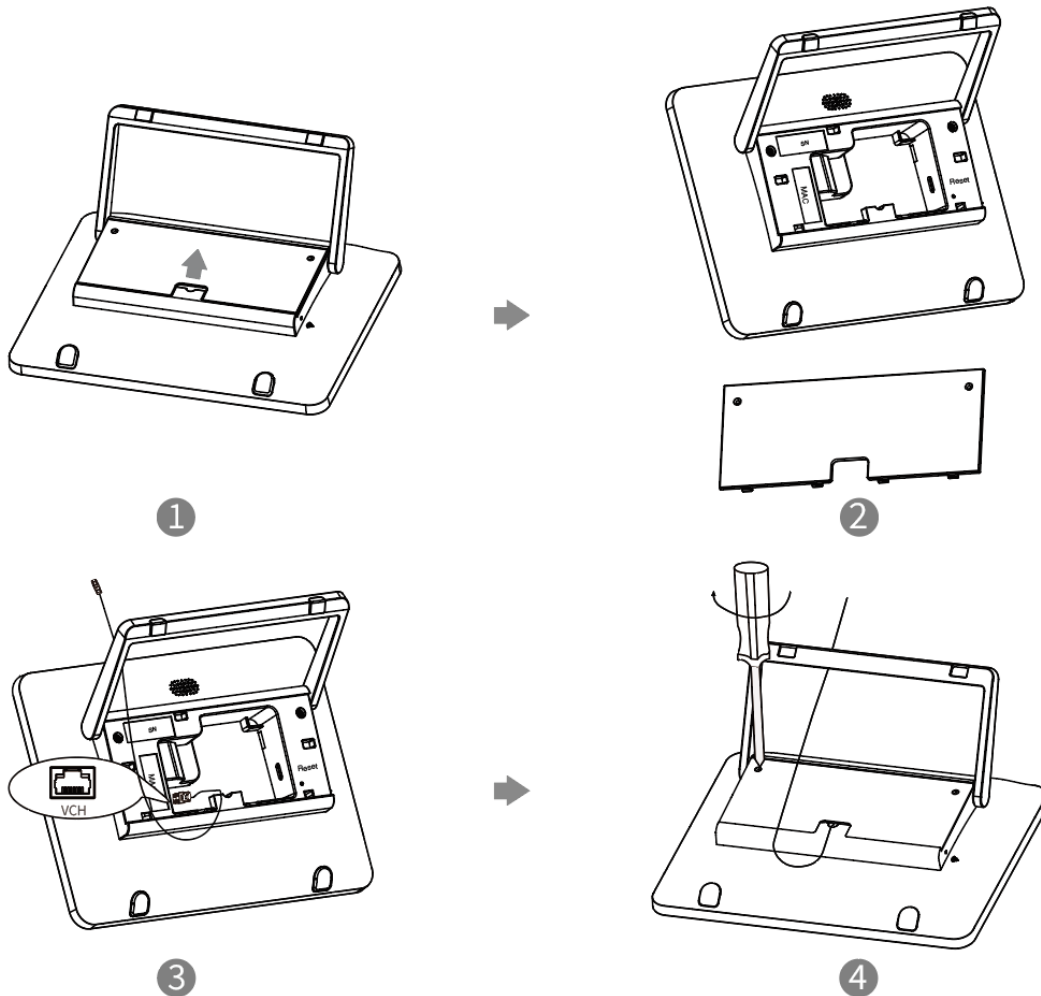
Specifications

Specifications	Description
System Compatibility	<ul style="list-style-type: none"> Based on Android 10.0
Display	<ul style="list-style-type: none"> Screen: 8-inch IPS FHD capacitive touch screen Resolution: 1280*800 (16:10) Touch: 10 points multi-touch
Network and Security Features	<ul style="list-style-type: none"> Built-in dual-band Wi-Fi (2.4GHz/5GHz) Built-in Bluetooth Built-in Ultrasonic IPv4 and IPv6, DHCP/static IP HTTP/HTTPS web server SRTP/TLS, AES 256-bit encryption QoS: 802.1p/q, Diff-serv VLAN, LLDP IEEE802.1X <ul style="list-style-type: none"> - EAP-MD5/EAP-TLS - PEAP-MSCHAPv2 - EAP-TTLS/EAP-MSCHAPv2 Network diagnosis: Ping, Trace route Time and date synchronization using SNTP Built-in certificate
CTP18 Physical Interface	<ul style="list-style-type: none"> USB: 1 x USB-C for device debugging RJ45: 1 x RJ45 Ethernet for power and data connection Reset slot: 1 x Reset slot
Other Physical Features	<ul style="list-style-type: none"> Power consumption: Normal operating: 7W; Max 8W Power input: PoE 48V \leq 0.27A Bracket: Integrated bracket, 28° - 50° steplessly adjustable Dimension (W* D* H): 50° 202 x 151 x 100; 28° 202 x 151 x 91.5
CTP18 Package	<p>Package contents:</p> <ul style="list-style-type: none"> - CTP18 - 7.5m Ethernet cable - 3m Ethernet cable - Cable lock box - PoE Adapter - Mounting Bracket and Accessories - Quick Start Guide - Carton Meas: 265 x 203 x 148 mm

Device Compatibility

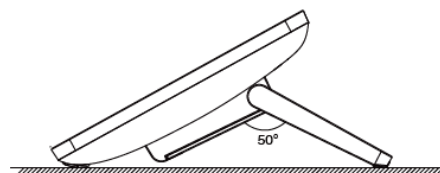
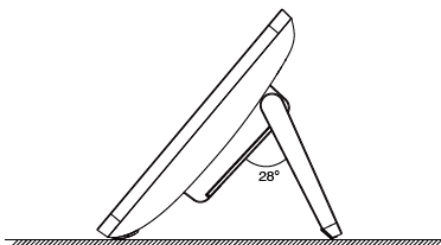
- [Teams Room Accessories Compatibility Lists](#)
- [Zoom Rooms Accessories Compatibility Lists](#)

Connection

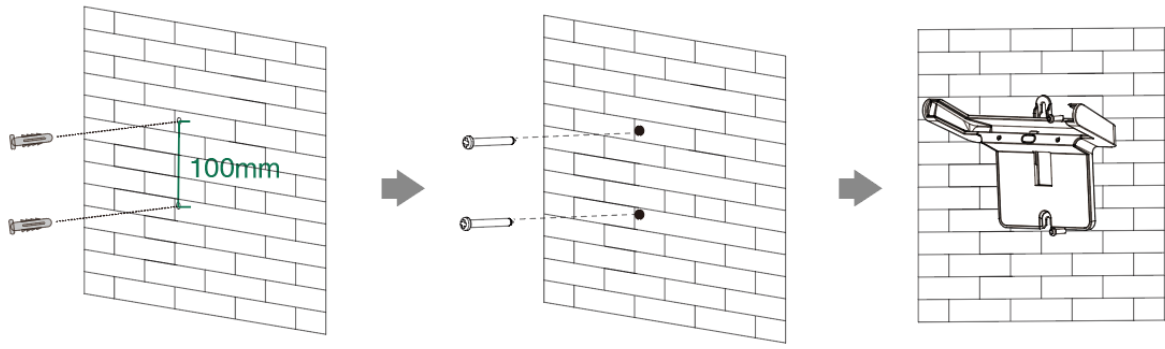


Installation

Put on a table



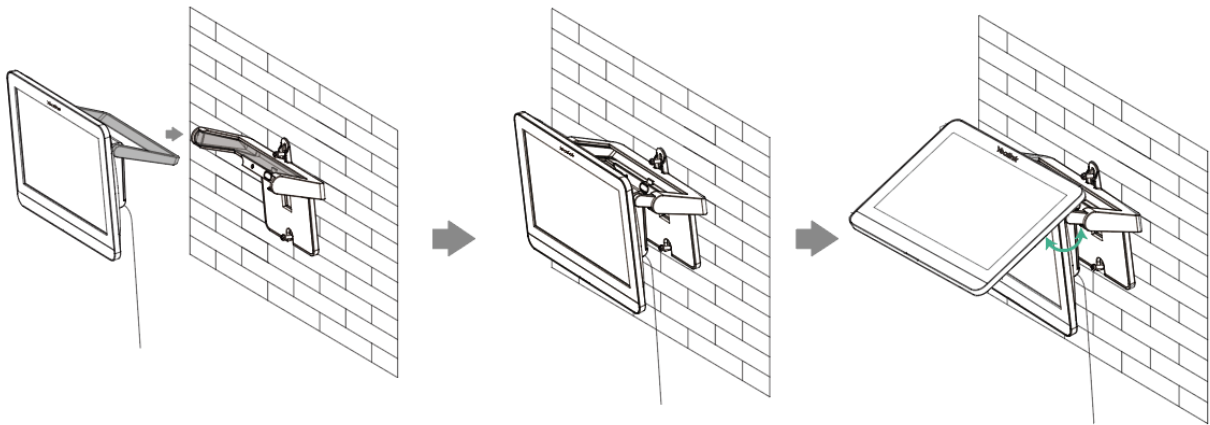
Mount on the wall



1

2

3



4

5

6