

T22PN

3 User accounts & 3 Line Keys

3 programmable keys

LCD 132 x 64 pixel with white backlit display

Headset port

Handsfree

Dual 10/100 ethernet ports



T22PN is the ideal IP business phone to equip the office for reliable, intensive telephone based business without incurring extravagant expense. Productivity driven, this best selling mid range phone is a robust, hard working favourite.

T22PN

Network Features

SIP v1 (RFC2543), v2 (RFC3261)
 3 User accounts
 NAT Transverse: STUN mode
 IP Assignment: Static/DHCP/PPPoE
 In-Band DTMF, Out-of-Band DTMF, SIP Info
 Proxy mode and Peer-to-peer SIP link mode
 TFTP/DHCP/PPPoE client
 Telnet/HTTP server
 DNS client
 NAT/DHCP server
 Supports VLAN, QoS
 PoE
 VPN

Voice Features

Wideband Codec: G.722, voice spectrum between 50-7000Hz
 Narrowband Codecs: G.711, G.726, G.723.1/iLBC, G.729AB and GSM VAD, CNG, AEC, PLC, AJB, AGC
 Full-duplex hands-free speakerphone

Phone Features

Call Hold, Call Waiting, Call Transfer, Call Forward
 300 name/number phonebook
 Caller ID, Call List, DND, Redial, Flash
 3-way Conference, Speed Dial
 Personal Ring Tone, Voicemail
 Volume Adjustment, Mute, Speakerphone
 LDAP

IP PBX System Integration

Dial Plan, Dial-now, Paging
 Downloadable enterprise phonebook
 Call Park, Call Pickup, Distinctive Ringtone
 Auto-answer, intercom

Config, Upgrade and Usage

TR69 standard
 Language Customization Support
 Firmware Upgrade: TFTP/Console/Auto-provision
 Auto-provision: TR069, HTTPS, HTTP, FTP, TFTP, PnP
 Direct IP call without SIP proxy
 Dial number via SIP server
 Dial URL via SIP server

Security

Secure RTP
 Digest authentication using MD5/MD5-
 sess
 Secure configuration file via AES encryption

Physical Features

TI Titan Chipset
 LCD: 132x64 with blue backlit
 3 programmable keys, 4 text-sensitive keys
 23 hard keys, 2 indication LEDs
 Headset port: RJ9
 Network Interface: 2xRJ45 10/100M ports
 Dimension: 275 x 220 x 105 mm
 Net Weight: 1.22 kg
 Optional power adapter: Input: AC 100~240V
 Output: DC 5V/1A
 Operating humidity: 10~95%
 Storage temperature: up to 60 C

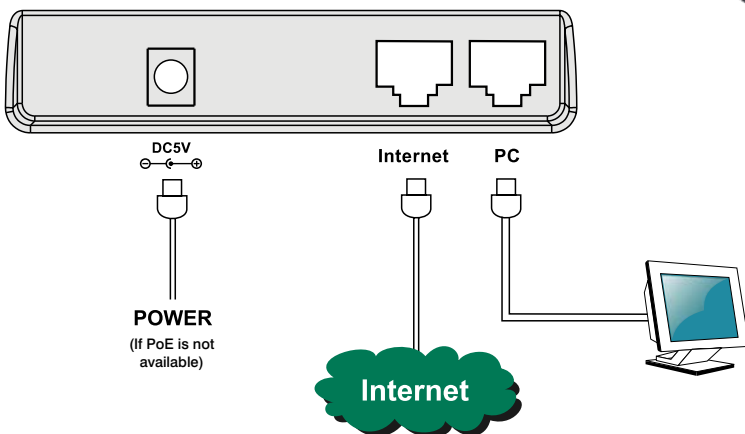
Certifications



WEEE Compliant



ROHS Compliant



Yealink
 EASY VoIP