

NR5313

5G NR Indoor Router

The Zyxel NR5313 5G NR Indoor Router supports the latest 5G NR technology while at the same time remaining fully compatible with 4G networks. The NR5313 is perfect for 5G NR indoor FWA deployment. Service providers can deliver premium broadband services with high speed and capacity across customers' homes or workplaces through the Wi-Fi 7 interface.

Benefits

Lightning-fast internet connectivity with SA/NSA dual mode

Supports a broad range of spectrum with 5G NR speeds up to 6.47 Gbps/730 Mbps* (DL/UL) and 4G LTE DL speeds of up to 2.0 Gbps*, the NR5313 increases internet speed and reduces network latency. Compliant with both Standalone (SA) and Non-Standalone (NSA) architecture, the NR5313 facilitates your deployment during 5G migration for faster FWA service rollouts.

Wi-Fi 7 (11be) technology for superior performance and coverage

Compliant with Wi-Fi 7 (802.11be) standard that supports up to 3.6 Gbps* and features 4096-QAM, offering your subscribers an ultra-fast, low-latency, and reliable Wi-Fi network like never before. Additionally, Multi-Link Operation (MLO) optimizes reliability and maximizes data speed through the aggregation of multiple bands, further enhancing the overall performance of the network.



3GPP Rel. 16 5G NR, up to 6.47 Gbps/730 Mbps (DL/UL) with the support of NSA mode



Wi-Fi 7 (11be) BE3600, 2x2 + 3x3 (2 spatial streams) for superior performance and coverage



Remote management via TR-069/TR-369 (TR-181 and TR-143), HTTP/web GUI



Remote firmware upgrade (FOTA)



Zyxel One app (iOS and Android)



Circular economy product design



FXS port for voice-related services

Strengthen your competitive edge with Fixed Wireless Access (FWA)

Deploying NR5313 as part of FWA allows you to extend your 5G service coverage into subscribers' homes and workplaces without extra wire infrastructure. This secures the TCOs and increases business revenue by supporting a larger number of subscribers with a premium fiber-grade connection.

Effortless installation network setup and management with Zyxel One app

The NR5313 comes with a companion app – Zyxel One. The intuitive user interface of Zyxel One provides your customers with an effortless installation journey, eSIM service**, and routine management for subscribers' homes or office networks, which minimizes service calls while enhancing user satisfaction.



Remote management and upgrade

Through the 4G/5G radio interface, the NR5313 supports TR-369, remote GUI, and FTP to be fully configurable. Firmware Over-The-Air (FOTA) support enables remote firmware upgrades and troubleshooting through events triggered by the operators.

Commitment to sustainability

The NR5313 is built with 100% recycled plastics*** and features an easily removable case, simplifying refurbishment to extend its lifespan. Its packaging is designed with recycled paper and printed using VOC-free vegetable oil ink, minimizing waste and harmful substances while eliminating single-use plastics.

Specifications

System specifications

IP networking

- Supports 5G SA slicing
- Supports IPv4/IPv6 dual stack (NDP IPv6)
- DHCP client/server
- Virtual Private Network (VPN) pass-through
- Supports NAT/NAPT
- Supports DMZ
- Multiple APNs
- Supports port forwarding

Routing

- Supports bridge and router modes
- Supports remote management under bridge mode
- Static/dynamic route setting

IP firewall

- DoS attack detection
- Supports SPI
- Application-level firewall (LAN to WAN such as FTP, HTTP, Telnet, Ping)
- Filters LAN MAC address
- Filters LAN IP address

Management

- Supports local/remote device management and firmware upgrade via TR-069 and web GUI
- PIN/PUK management
- APN management
- Operating frequency band selection
- CLI/SSH (local and remote SSH access)
- Supports UPnP IGD
- Supports GPS/GNSS receiver for geo-location info retrieving (Optional feature by request)
- Supports web server API to support app
- Supports Zyxel One app (iOS and Android) for easy installation and local management

WLAN feature

- Auto channel selection
- Wi-Fi Protected Setup (WPS)
- Wi-Fi Multimedia (WMM)
- Wi-Fi-enabled devices: up to 64
- Security: none, WPA2-Personal, WPA/WPA2, WPA3
- MAC address filtering with 64 addresses supported
- Multiple SSIDs/hidden SSIDs
- WLAN scheduling

Hardware specifications

5G NR interface

- 3GPP Release 16 standard-compliant
- Supports both NSA and SA modes
- FDD: n1/n3/n7/n8/n20/n28
- TDD: n38/n40/n41/n75/n77/n78
- Supports DL 4x4 MIMO bands: n1/n3/n7/n38/n40/n41/n75/n77/n78
- Supports DL 2x2 MIMO bands: n8/n20/n28
- Data rates:
 - 5G SA: 4.6 Gbps/1.25 Gbps*
 - 5G NSA: 6.47 Gbps/730 Mbps*
- Supports DL modulation QPSK, 16-QAM, 64-QAM, and 256-QAM
- Supports UL modulation QPSK, 16-QAM, 64-QAM, and 256-QAM
- Output power:
 - Class 2 (26 dBm): n38/n40/n41/n77/n78
 - Class 3 (23 dBm) for all other bands

4G LTE interface

- 3GPP UE Category DL/UL 20/18 standard compliant
- Supports frequencies:
 - LTE-FDD: B1/B3/B5/B7/B8/B20/B28/B32
 - LTE-TDD: B38/B40/B41/B42/B43
- Supports DL 4x4 MIMO bands: B1/B3/B7/B32/B38/B40/B41/B42/B43
- Supports DL 2x2 MIMO bands: B5/B8/B20/B28
- Peak data rates:
 - Max. DL 2 Gbps/UL 211 Mbps*
- Supports DL modulation QPSK, 16-QAM, 64-QAM, and 256-QAM
- Supports UL modulation QPSK, 16-QAM, 64-QAM, and 256-QAM
- Output power:
 - Class 2 (26 dBm): B41
 - Class 3 (23 dBm) for rest FDD/TDD LTE bands

5G/4G antennas

- Four embedded omni-directional antennas
- Antenna spec (Peak gain)
 - < 1 GHz: 1.7 dBi
 - 1.4 GHz ~ 2.2 GHz: 3.6 dBi
 - 2.3 GHz ~ 2.7 GHz: 3.5 dBi
 - 3.3 GHz ~ 4.2 GHz: 5.7 dBi

Wi-Fi air interface

- Wireless standard: IEEE 802.11b/g/n/a/ac/ax/be
- Wireless speeds:
 - Link rates up to 3,600 Mbps* for 802.11be DBDC
- Internal Wi-Fi antenna:
 - Dual-band & concurrent 2x2 +3x3 (2ss)
- Wi-Fi antenna gain:
 - ~2.61 dBi for 2.4 GHz
 - ~3.53 dBi for 5 GHz

VoIP/Phone features**

- Codec: G.711u, G.711a, G.729, G.726-24, G.726-32, G.722
- DTMF tone: detection and generation
- Fax (G.711 Pass-through, T.38 Relay)
- Call waiting (reject waiting call, disconnect existing call, keep existing call)
- Call forwarding (unconditional, busy, no answer)
- Call transferring (attended, unattended)
- Caller-ID display (on the LCD of the telephone set)
- Call hold/recover
- Three-way conference

Hardware interface

- One 100/1000/2500 Mbps Ethernet RJ-45 WAN/LAN port
- Three 100/1000 Mbps Ethernet RJ-45 LAN ports
- LED indicators:
 - Power indication
 - Signal strength
 - Internet connection status
 - Wi-Fi/WPS status
- One 4FF nano SIM card slot
- One USB-C port for debugging
- One power on/off button
- One reset button
- One WPS button
- One FXS port

Power consumption

- 30 Watt (peak)

Physical specifications

- Item dimensions (LxWxH): 166 x 61 x 235 mm (5.54" x 2.40" x 9.25")
- Item weight: 750 g (1.65 lb.)
- Packing dimensions (LxWxH): 277 x 217 x 97 mm (10.91" x 8.54" x 3.82")
- Packing weight: 1196 g (2.64 lb.)

Environmental specifications

Operating environment

- Temperature: 0°C to 40°C (32°F to 104°F)
- Humidity: 10% to 95% RH (non-condensing)

Storage environment

- Temperature: -30°C to 70°C (-22°F to 158°F)
- Humidity: 10% to 95% (non-condensing)

Certification

- CE
- UKCA
- Wi-Fi Alliance (WFA) certification

Package contents

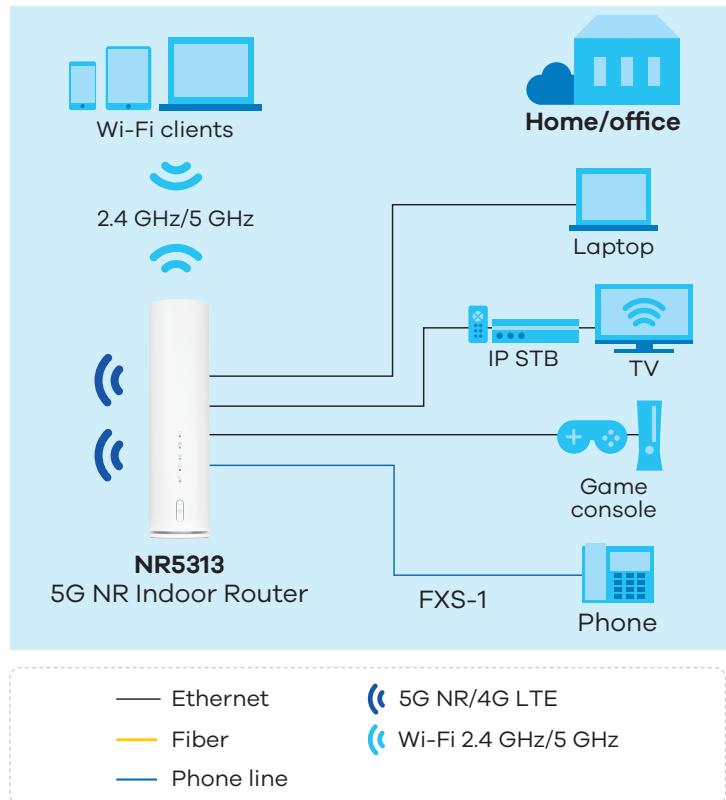
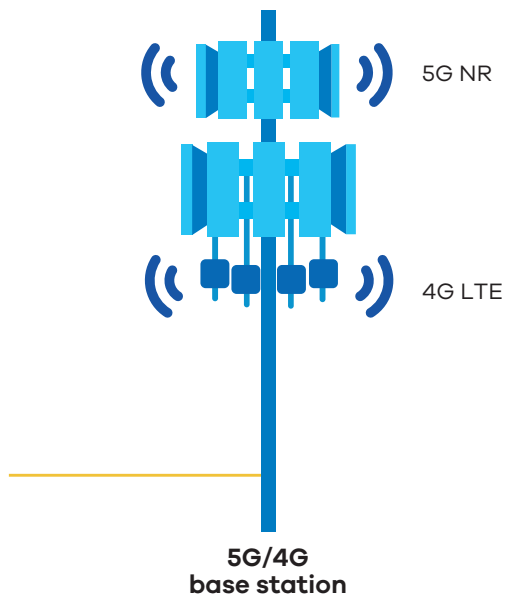
- EU and UK plug power adaptor
- Ethernet cable 1.5 m 8P8C
- Quick Start Guide
- Safety warning (CE DoC included)

* The maximum data rate is a theoretical value. The actual data rates depend on the network environment.

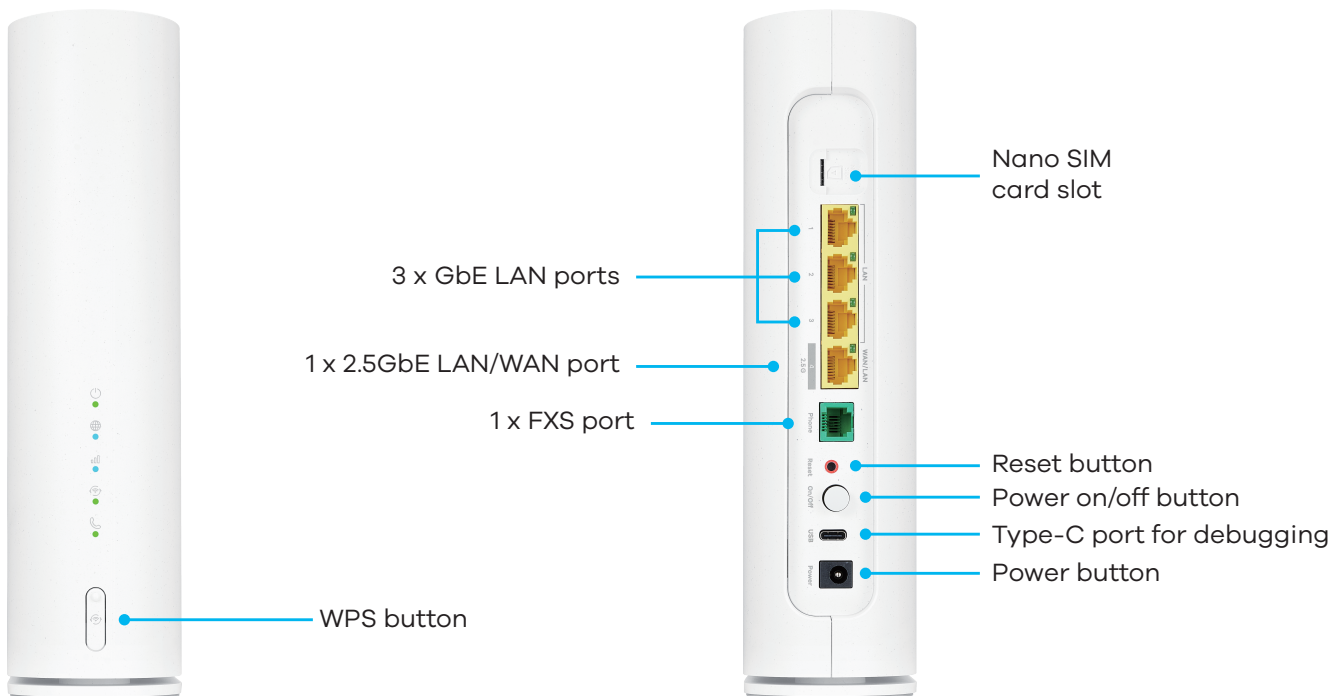
** eSIM and VoIP services are available upon request and require interoperability testing for availability.

*** 5% additives and solvents are necessary to be added to the recycled polymers to achieve the desired technical characteristics of the material.

Application diagram



Hardware description



For more product information, visit us on the web at <https://www.zyxel.com/service-provider>

Copyright © 2025 Zyxel and/or its affiliates. All rights reserved.
All specifications are subject to change without notice.



12/12/25